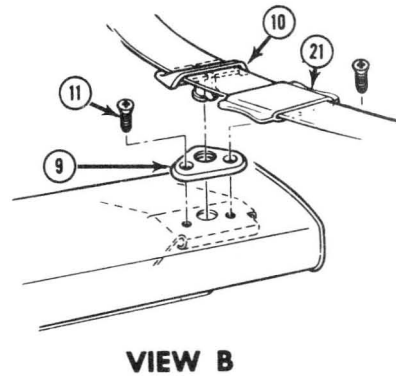
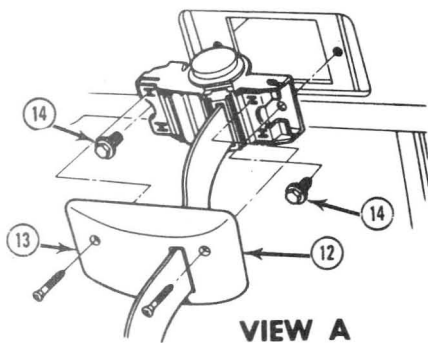
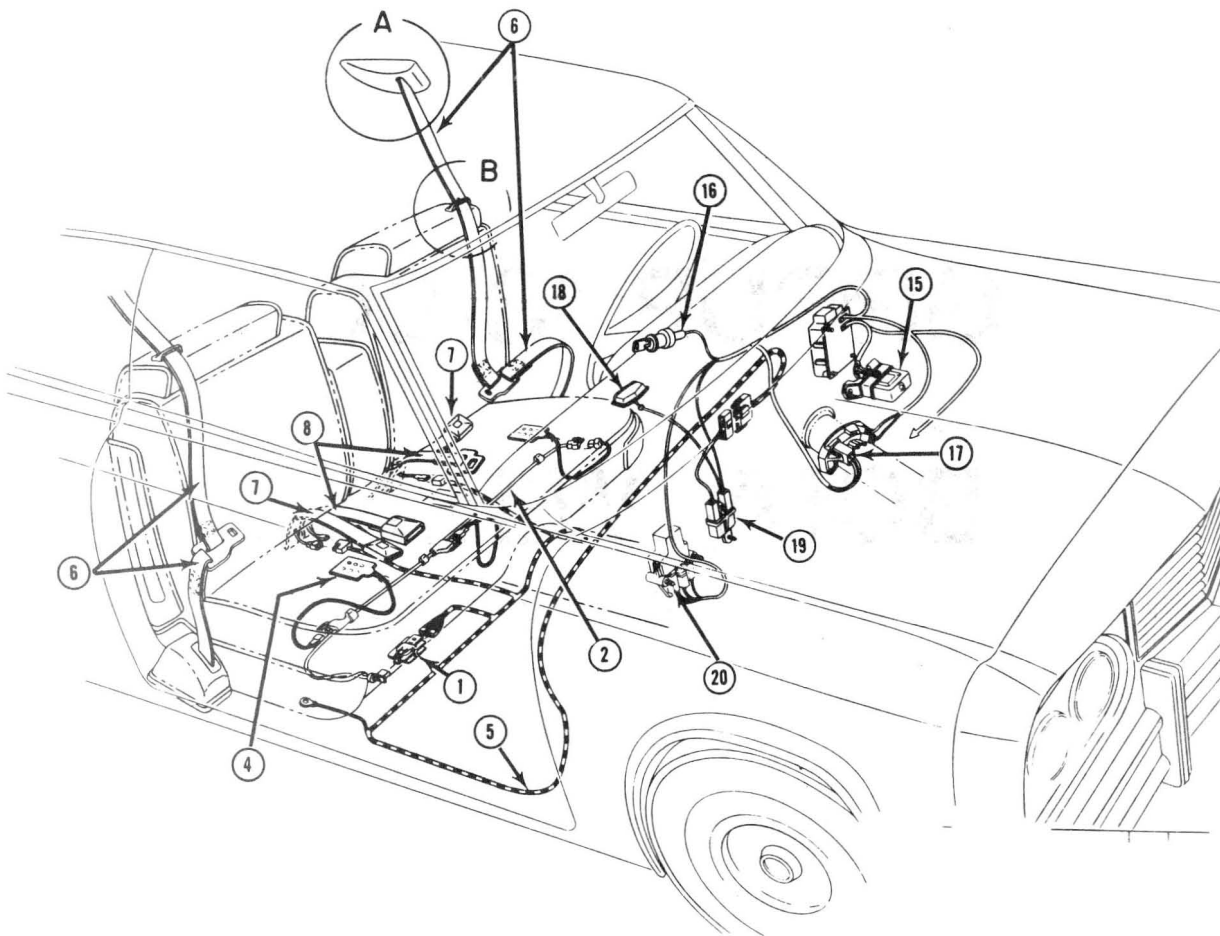


GROUP 13.000

BODY WIRING



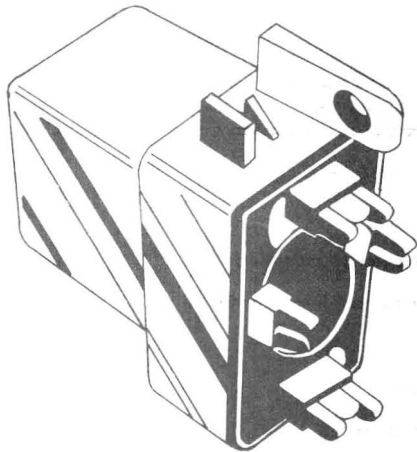
1974 SEAT BELT INTERLOCK SYSTEM

1974 SEAT BELT INTERLOCK SYSTEM

Key	Description	Group
1	LOGIC ASSY.	13.095
2	HARNESS (in seat) (AG37, AJ29-57 bucket seats) HARNESS (in seat) (bench seats) HARNESS (in seat) (60/40 seats)	13.090
4	SWITCH, AJ29-57 European bucket seats) SWITCH (A11 bench, 60/40 & swivel bucket seats)	13.095
5	HARNESS (frt. end) (60/40 & bucket) HARNESS (frt. end) (bench seats)	13.090
6	SEAT BELT (retractor side)	14.875
7	SEAT BELT (buckle side)	14.875
8	SEAT BELT (frt. seat center)	14.875
9	ESCUTCHEON	14.875
10	GUIDE	14.875

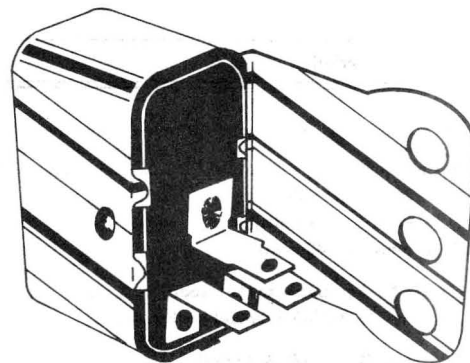
Key	Description	Group
11	SCREW (escn. to seat back)	N.S.S.
12	COVER	14.875
13	SCREW (retractor cover to retractor)	N.S.S.
14	SCREW (retractor to roof inner panel)	14.875
15	RELAY (override)	13.095
16	SWITCH (ignition)	2.189
17	SWITCH (neutral start)	4.054
18	HOUSING & BASE	9.765
19	BUZZER ASSY.	2.195
20	RELAY (interlock)	13.095
21	CLIP (shoulder strap frt.)	14.875

BELT TO STARTER MOTOR INTERLOCK RELAY



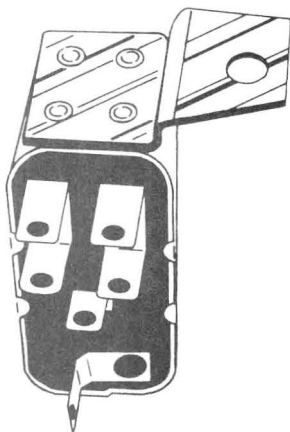
1974-75/ALL
1997426
GR. 13.095

FRONT SEAT BACK ELECTRIC LOCK RELAY

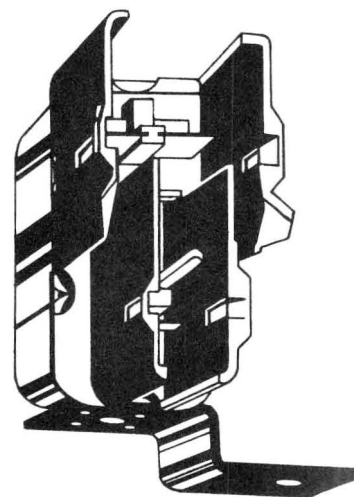


1970-72/ALL
7728426
GR. 13.095

SEAT ADJUSTER MOTOR RELAYS

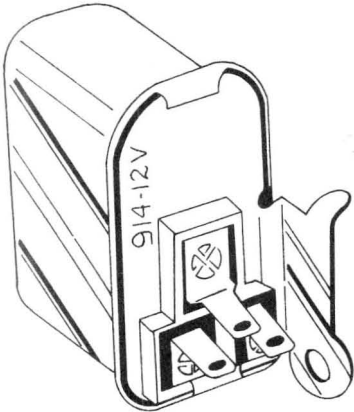


1964-75/ALL
5717528
GR. 13.095

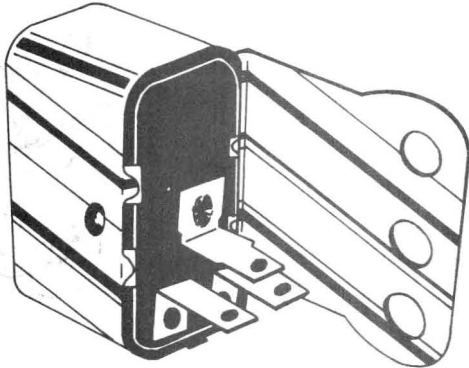


1976/ALL
1703274
GR. 13.095

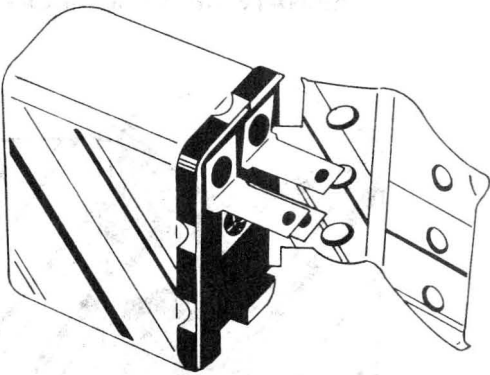
POWER WINDOW RELAYS



1964-67 / ALL
1115914
GR. 13.095

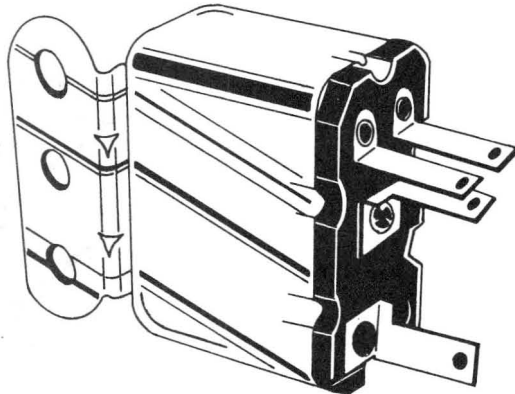


1968-72 / ALL
7728426
GR. 13.095



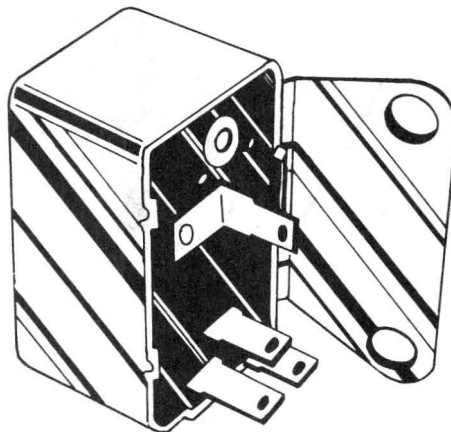
1973-76 / ALL
9831949
GR. 13.095

SEAT BELT WARNING, PARKING BRAKE AND SEAT BELT WARNING ISOLATION RELAY



1975-76/ALL WITH ST
494882
GR. 13.095

TAILGATE RELEASE RELAY



1973/ALL
1115881
GR. 13.095